

CONTENTS OF CARTON

Thank You

Thank you for purchasing a bagging attachment. It was carefully engineered to provide excellent performance when properly operated and maintained.

Please read this entire manual prior to operating the equipment. It instructs you how to safely and easily set up, operate and maintain your equipment. Please be sure that you, and any other persons who will operate the machine, carefully follow the recommended safety practices at all times. Failure to do so could result in personal injury or property damage.

All information in this manual is relative to the most recent product information available at the time of printing. Review this manual frequently to familiarize yourself with the equipment, its features and operation. Please be aware that this Operator's Manual may cover a range of product specifications for various models. Characteristics and features discussed and/or illustrated in this manual may not be applicable to all models. We reserve the right to change product specifications, designs and equipment without notice and without incurring obligation.

If you have any problems or questions concerning this equipment, phone your local dealer or contact us directly. We want to ensure your complete satisfaction at all times.

Throughout this manual, all references to *right* and *left* side of the machine are observed from the operating position.

42"/46" Double Bagger

Before beginning installation, remove all parts from the carton to make sure everything is present. Carton contents are listed below and shown in Figure 1. The hardware pack(s) included in this kit are detailed at the end of this section.

- Boot Assembly - 731-09329A
- Grass Bag Assembly (2) - 664-05104
- Vertical Bagger Support - 683-04519C
- Grass Bag Support - 683-05329A
- End Plugs (4) - 735-0246A (pre-installed)
- Bagger Cover - 631-05474B
- Bagger Vent Wall Assembly - 631-05491B
- Bagger Cover Left Side Wall - 731-12350B
- Hose - 764-05082
- Lower Hose Connection - 731-12353A (pre-installed)
- Hinge Pin - 711-06701
- Adapter Bracket - 789-02518
- Hitch Adapter Bracket - 789-02298
- RZT Bagger Weight - 719-04271A
- Weight Plates (3) - 789-02137
- Weight Hanger Bracket Left - 789-02197
- Weight Hanger Bracket Right - 789-02198
- Hardware Pack - 689-01419
- Anti-marking Adhesive Strips - 777X52246
- Bagger Boot Hardware Pack - 689-00636

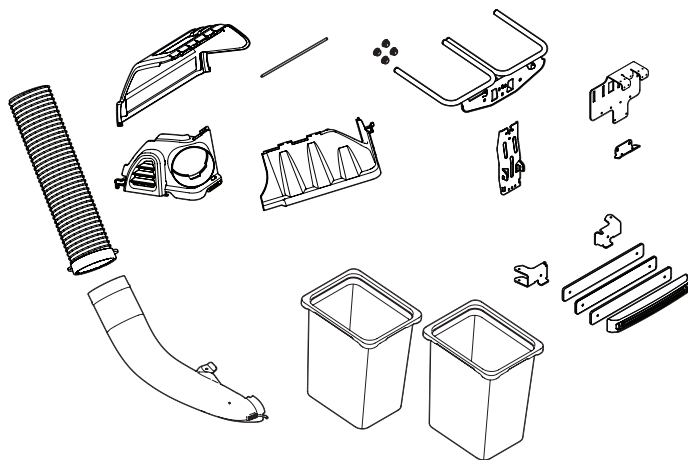


Figure 1

50"/54" Double Bagger

Before beginning installation, remove all parts from the carton to make sure everything is present. Carton contents are listed below and shown in Figure 2. The hardware pack(s) included in this kit are detailed at the end of this section.

- Boot Assembly - 631-05103
- Grass Bag Assembly (2) - 664-05104
- Vertical Bagger Support - 683-04519C
- Grass Bag Support - 683-05329A
- Chute Adapter - 731-10133
- End Plugs (4) - 735-0246A (pre-installed)
- Bagger Cover - 631-05474B
- Bagger Vent Wall Assembly - 631-05491B
- Bagger Cover Left Side Wall - 731-12350B
- Hose - 764-05135
- Lower Hose Connection - 731-12353A (pre-installed)
- Hinge Pin - 711-06701
- Adapter Bracket - 789-02518
- Hitch Adapter Bracket - 789-02298
- RZT Bagger Weight - 719-04271A
- Weight Plates (3) - 789-02137
- Weight Hanger Bracket Left - 789-02197
- Weight Hanger Bracket Right - 789-02198
- Hardware Pack - 689-01419
- Anti-marking Adhesive Strips - 777X52246
- Bagger Boot Hardware Pack - 689-02199

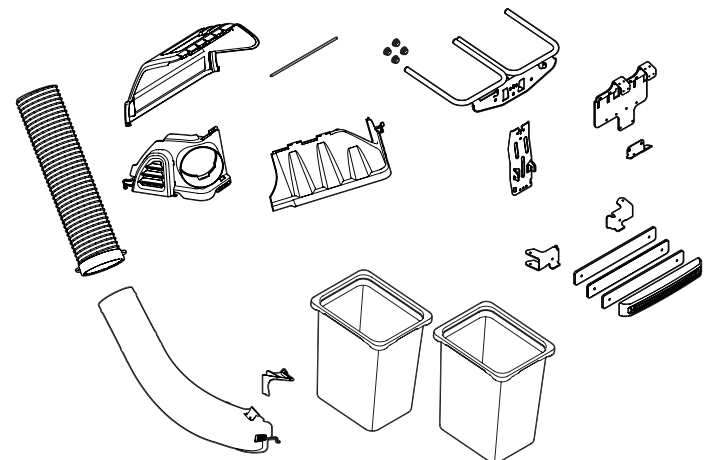


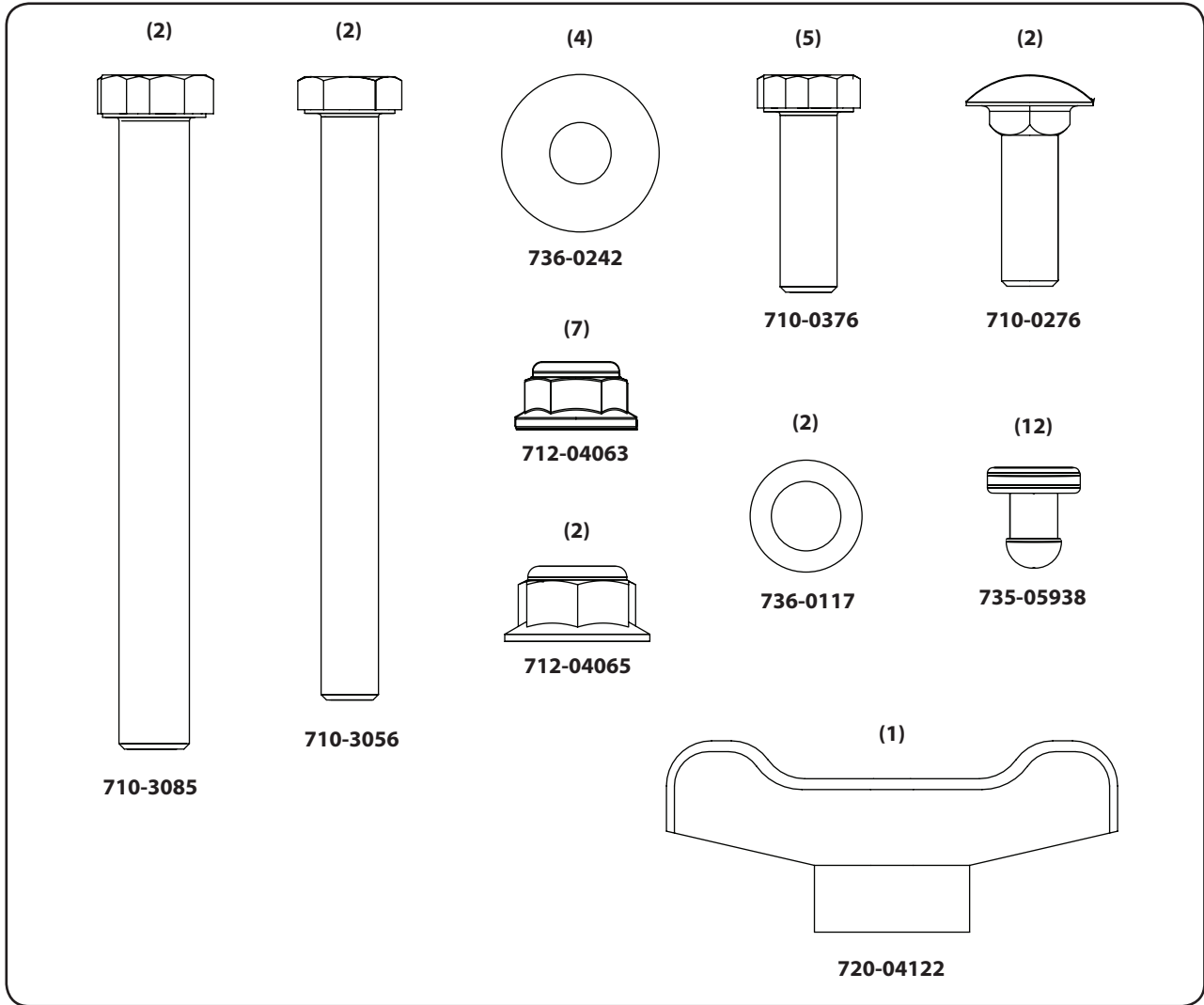
Figure 2

CONTENTS OF CARTON

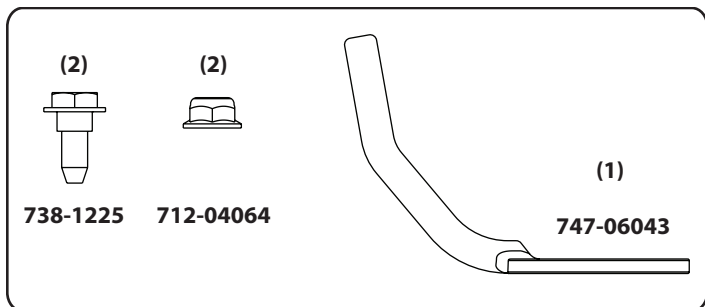
Contents of Hardware Pack

Please check your hardware packs against the illustrations below. The quantities for each item are listed in parenthesis.

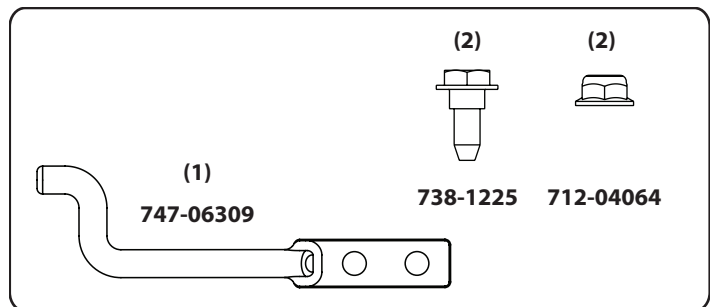
Hardware Pack 689-01419



42"/46" Hardware Pack 689-00636



50"/54" Hardware Pack 689-02199



ASSEMBLY & INSTALLATION

NOTE: References to left, right, front and rear of the tractor are from the operator's position, unless otherwise stated.

- Before assembly, place the tractor on a firm, level surface, disengage the PTO, stop the tractor engine and set the parking brake.

Assemble Mounting Brackets

1. Install 12 rubber pads (735-05938) into adapter bracket (789-02518) using the mounting holes shown in Figure 3.

NOTE: Check the bumper pads after each season for excessive wear and replace as necessary.

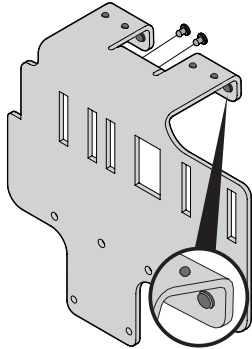


Figure 3

Install Bracket Assembly on Tractor

NOTE: When assembling this mounting assembly, it is best to not fully tighten the bracket at this time. This will facilitate the mounting process in later steps, which will then require fully tightening this mounting assembly.

Install mounting bracket assembly on tractor as follows:

1. Remove hitch bracket.
2. **For ZT1 installation only:** Place two flat washers (736-0117) between hitch bracket adapter (789-02298) and the hitch bracket removed in Step 1.
3. Install bracket assembly to the tractor's lower frame with two capscrews (710-0376). See Figure 4.
4. Hang adapter bracket assembly onto upper frame square tube and connect to hitch bracket adapter (789-02298) with two screws (710-0376), two cup washers (736-0242), and two flange lock nuts (710-04063). See Figure 5.

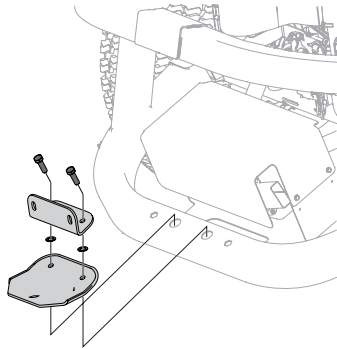


Figure 4

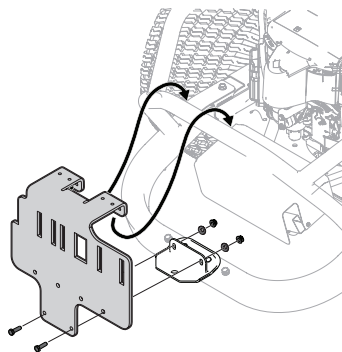


Figure 5

NOTE: Make sure that the adapter bracket is seated firmly on the upper tube frame.

5. Tighten all of the hardware installed at this time.

Install Vertical Support

NOTE: This manual covers various bagger configurations. Please follow the instructions applicable to your machine.

1. Using Figure 6 and the chart below, locate the correct mounting hole location on the mounting bracket for your tractor:

Model No.	Description	Position
19A70054*	42"/46" Double Bagger	4
19A70055*	50"/54" Double Bagger	3

NOTE: Hole position 2 is currently not used.

2. Install the vertical support bracket onto the mounting assembly on the tractor by hooking it over the mounting assembly as shown in Figure 7.
3. Secure the upright support bracket to the mounting assembly using a hex bolt (710-0376) and flange lock nut (712-04063) from hardware pack 689-01419. See Figure 7.

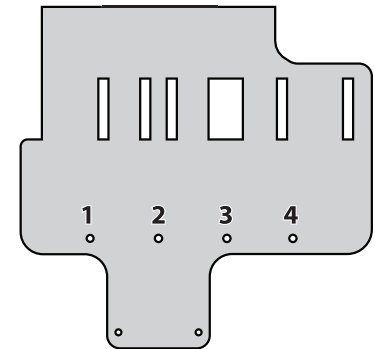


Figure 6

Install Hanger Assembly

1. Install and secure the hanger assembly onto the upright support bracket using two carriage bolts (710-0276), two cup washers (736-0242) and two flange lock nuts (712-04063) from hardware pack 689-01419. See Figure 8.

NOTE: The carriage bolts (710-0276), from hardware pack 689-01419, go in the top hole with the nut facing the engine. The hex bolt (710-0376), from the same hardware pack, goes in the bottom hole.

Install Top Bagger Components

With the mounting brackets assembled and in place on the tractor, follow these steps to assemble the remaining bagger components.

1. **If not already installed by the factory,** snap the vent cover into the holes found on the chute support assembly.

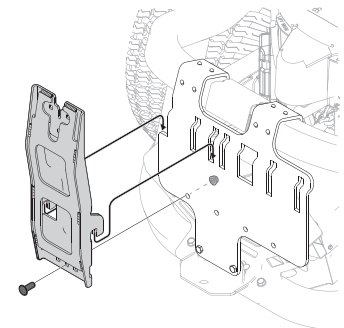


Figure 7

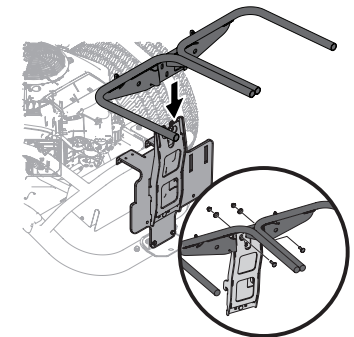


Figure 8

ASSEMBLY & INSTALLATION

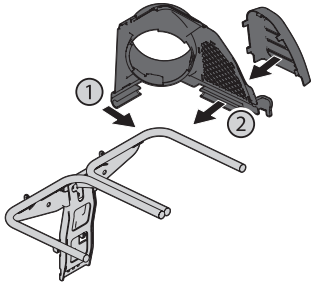


Figure 9

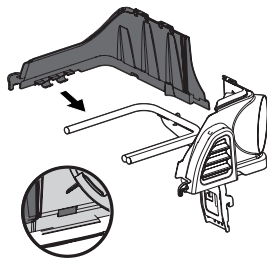


Figure 10

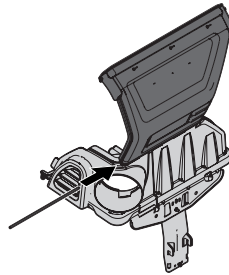


Figure 11

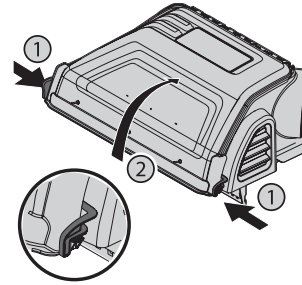


Figure 12

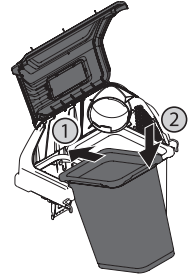


Figure 13

2. Snap the plastic upper chute support in place by first clipping the side portion onto the bagger support rail (1) as shown in Figure 9.
3. Snap the front side of the chute support to the rail (2) as shown in Figure 9.
4. Snap the top cover support on to the bagger support rail at a slight angle. Rotate the assembly down and into the chute support assembly, making sure that the tab (shown in inset of Figure 10) is locked into place.
5. Install the bagger top cover by aligning the tabs of the cover and sliding the mounting pin into the channel as shown in Figure 11.
6. Open hood by pushing in on the rear side tabs with your hand (1), and lifting the cover with your other hand in the center rear of the bagger cover (2) as shown in Figure 12.
7. Install both bag assemblies onto the bag support brackets by inserting the front edge in first (1), and then setting the back edge down until it fits into the assembly (2) as shown in Figure 13.

Installing the Boot Rod and Hardware

Model 19A70054*:

1. From the inside of the boot, put the two hex head screws (738-1225) through the holes at the bottom front of the boot. See Figure 14.
2. Put the mounting rod (747-06043) in place over the hex head screws. Make sure the tip of the rod is facing out from the boot. See Figure 14.
3. Begin threading the flange lock nuts (712-04064) onto the hex head screws. See Figure 14.
4. Using a 7/16" wrench or socket on the screw and a 7/16" box wrench on the lock nuts, tighten down so flange is flush to secure the assembly.

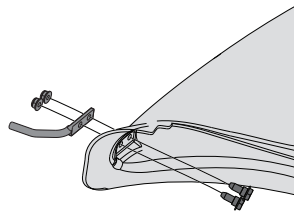


Figure 14

Model 19A70055*:

1. From the inside of the boot, put the two hex head screws (738-1225) through the holes at the bottom front of the boot. See Figure 15.
2. Put the mounting rod (747-06309) in place over the hex head screws. Make sure the tip of the rod is facing out from the boot. See Figure 15.
3. Begin threading the flange lock nuts (712-04064) onto the hex head screws. See Figure 15.

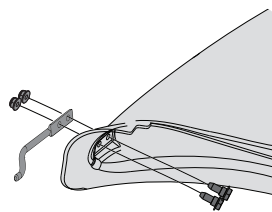


Figure 15

4. Using a 7/16" wrench or socket on the screw and a 7/16" box wrench on the lock nuts, tighten down so flange is flush to secure the assembly.

Installing the Discharge Chute - 42/46" Double Bagger

1. With the tractor's discharge chute raised up and held open (1), install the chute elbow by placing the chute elbow mounting rod into the chute mounting tab (2), as shown in Figure 16.
2. Secure the chute elbow to the deck using a wing knob (720-04122) from hardware pack 689-01419. See Figure 17.

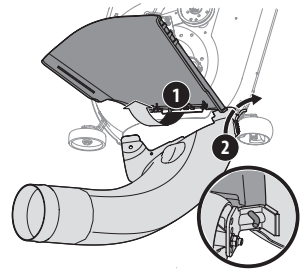


Figure 16

NOTE: If present, remove the protective cap off of the mounting stud on the mowing deck as shown in the upper inset of Figure 17.

IMPORTANT: Be certain that the bottom of the discharge chute is located inside of the lip of the deck opening, as shown in Figure 18.

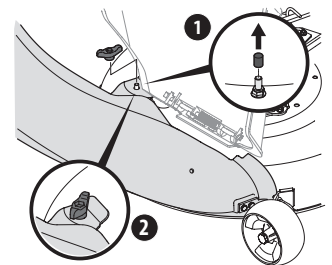


Figure 17

Installing the Discharge Chute - 50/54" Double Bagger

When installing the discharge chute, two different installation instructions exist. For the 54" Fabricated deck units, the discharge chute elbow mounts directly onto the cutting deck. For the 50" and 54" stamped decks, an adapter must first be installed. Be sure to follow the instructions that pertain to the unit you are installing this bagger on.

54" Fabricated Deck Units:

1. Raise the deck to its highest position.
2. Raise the chute deflector (1 in Figure 19) on the deck and hold it while you position the discharge chute over the chute opening.

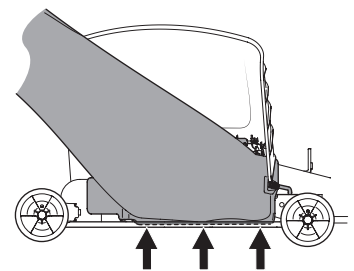


Figure 18

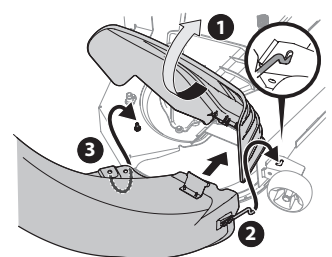


Figure 19

ASSEMBLY & INSTALLATION

3. Insert the end of the discharge chute elbow (2) into the hole provided in the deck wheel mount as shown in the inset of Figure 19.
4. Pivot the discharge chute rearward until the hole in the discharge chute elbow aligns with the pin on the deck. Move the discharge elbow down onto that pin as shown in 3 of Figure 19.
5. Secure the discharge chute elbow to the cutting deck using a wing knob (720-04122) included with the bagger kit. Refer to Figure 20.

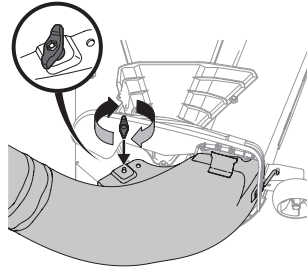


Figure 20

4. If open, close the grass catcher cover prior to mowing.

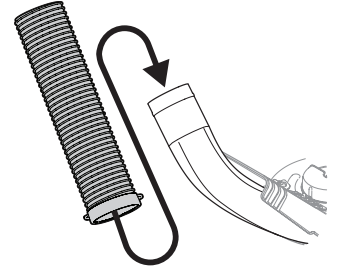


Figure 25

On 50" and 54" Stamped Decks:

1. Raise the deck to its highest position.
2. Remove the deck pin rubber protective cap (1) in Figure 21.
3. Raise the chute deflector (2 in Figure 21) on the deck and hold it while you install the chute adapter (731-10133) (3) onto the deck as shown in Figure 21.
4. Insert the end of the discharge chute elbow (1) into the hole provided in the deck wheel mount as shown in the inset of Figure 22.
5. Pivot the discharge chute rearward until the hole in the discharge chute elbow aligns with the pin on the deck adapter. Move the discharge elbow down onto that pin as shown in 2 of Figure 22.
6. Secure the discharge chute elbow to the cutting deck using a wing knob (720-04122) included in hardware pack 689-01419. Refer to Figure 23.

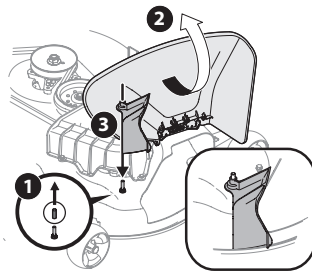


Figure 21

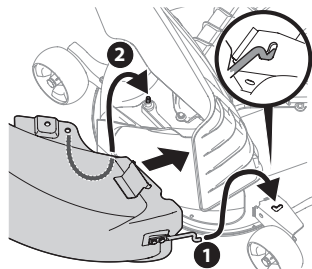


Figure 22

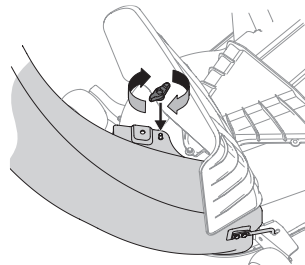


Figure 23

Installing the Upper Chute Tube

1. Thread the upper end of the chute tube securely into the upper chute support. There are two tabs on the lower inside part of the upper chute support to allow for secure threading. See Figure 24.
- NOTE:** The chute tube and upper chute support are **left-hand threaded**. Thread counterclockwise until secure.
2. Lift by the handles at the bottom of the chute tube. Slide the chute tube over the chute elbow mounted on the cutting deck, as shown in Figure 25.
 3. Make sure the connection is secure and there are no gaps between the chute tube and the chute elbow.

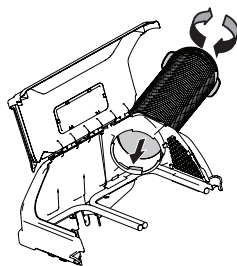


Figure 24

Install The Counter Weight

⚠ WARNING

This front-weight kit is required when operating any compatible zero turn tractor models equipped with a grass collector. Failure to install this kit may result in serious injury or death.

⚠ WARNING

Before beginning installation, place the zero turn tractor on a firm and level surface, set the parking brake, place the PTO in the disengaged (OFF) position, stop the motor and remove the ignition key to prevent unintended starting.

1. Before assembly, peel the adhesive decals from the sheet and apply to the inside faces of the right and left weight hanger brackets, as shown in Figure 26.
2. Attach the weight and three weight plates to the weight hanger brackets with two 3/8" hex head capscrews (710-3085) and two nuts (712-04065) as shown in Figure 27.
3. Visually center the weight bar assembly on the tractor and using two 7/16" hex head capscrews (710-3056) and two nuts (712-04063) secure the counter weight assembly to the tractor as shown in Figure 28.

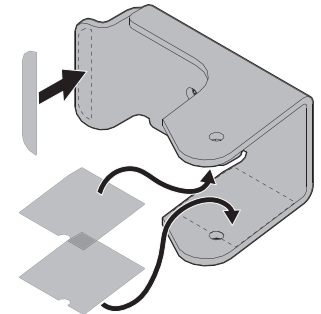


Figure 26

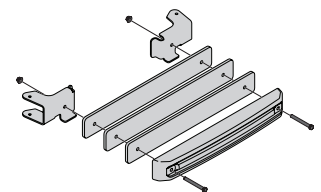


Figure 27

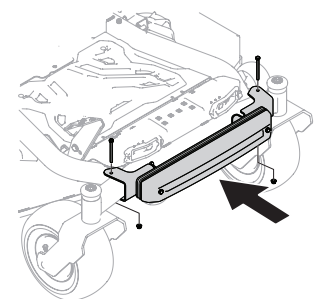


Figure 28