

# CONTENTS OF CARTON

## Thank You

Thank you for purchasing a bagging attachment. It was carefully engineered to provide excellent performance when properly operated and maintained.

Please read this entire manual prior to operating the equipment. It instructs you how to safely and easily set up, operate and maintain your equipment. Please be sure that you, and any other persons who will operate the machine, carefully follow the recommended safety practices at all times. Failure to do so could result in personal injury or property damage.

All information in this manual is relative to the most recent product information available at the time of printing. Review this manual frequently to familiarize yourself with the equipment, its features and operation. Please be aware that this Operator's Manual may cover a range of product specifications for various models. Characteristics and features discussed and/or illustrated in this manual may not be applicable to all models. We reserve the right to change product specifications, designs and equipment without notice and without incurring obligation.

If you have any problems or questions concerning this equipment, phone your local dealer or contact us directly. We want to ensure your complete satisfaction at all times.

Throughout this manual, all references to *right* and *left* side of the machine are observed from the operating position.

## 48" Triple Bagger

Before beginning installation, remove all parts from the carton to make sure everything is present. Carton contents are listed below and shown in Figure 1. The hardware pack(s) included in this kit are detailed at the end of this section.

- Boot Assembly - 819-011300
- Grass Bag Assembly (3) - 664-05104
- Vertical Bagger Support - 683-04519C
- Hanger Assembly - 683-04498B
- End Plugs (6) - 735-0246A (pre-installed)
- Bagger Cover - 631-06539
- Bagger Screen - 731-06504
- Upper Chute Support - 731-17272
- Strut Bracket (2) - 789-04278
- Lower Bracket - 789-04279
- Upper Bracket - 789-04458
- Deflector - 731-18471
- Hose - 764-05275
- Hinge Pin - 711-05079
- Keeper Bracket - 689-02519
- Mounting Plate - 689-02559
- RZT Bagger Weight - 719-04271A
- Weight Plates (3) - 789-02137
- Weight Hanger Bracket Left - 789-04077
- Weight Hanger Bracket Right - 789-04078
- Hardware Pack - 689-02619
- Deflector Hardware Pack - 689-02299

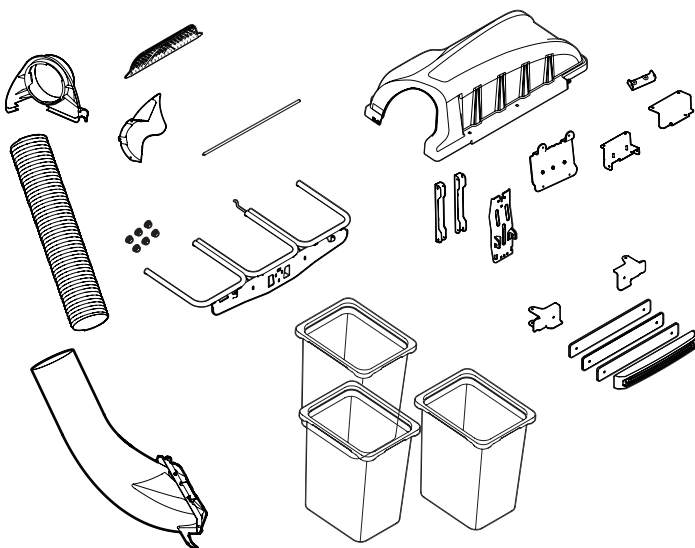


Figure 1

## 54"/60" Triple Bagger

Before beginning installation, remove all parts from the carton to make sure everything is present. Carton contents are listed below and shown in Figure 2. The hardware pack(s) included in this kit are detailed at the end of this section.

- Boot Assembly - 819-011280
- Grass Bag Assembly (3) - 664-05104
- Vertical Bagger Support - 683-04519C
- Hanger Assembly - 683-04498B
- End Plugs (6) - 735-0246A (pre-installed)
- Bagger Cover - 631-06539
- Bagger Screen - 731-06504
- Upper Chute Support - 731-17272
- Strut Bracket (2) - 789-04278
- Lower Bracket - 789-04279
- Upper Bracket - 789-04458
- Deflector - 731-18471
- Hose - 764-05275
- Hinge Pin - 711-05079
- Keeper Bracket - 689-02519
- Mounting Plate - 689-02559
- RZT Bagger Weight - 719-04271A
- Weight Plates (3) - 789-02137
- Weight Hanger Bracket Left - 789-04077
- Weight Hanger Bracket Right - 789-04078
- Hardware Pack - 689-02619
- Deflector Hardware Pack - 689-02299

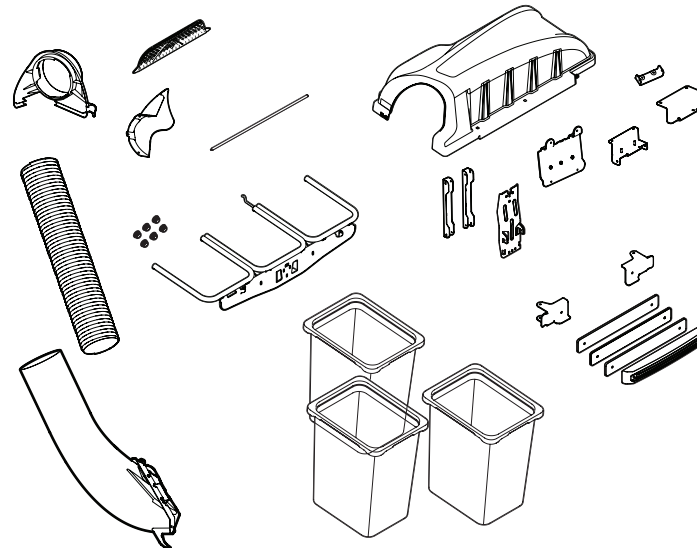


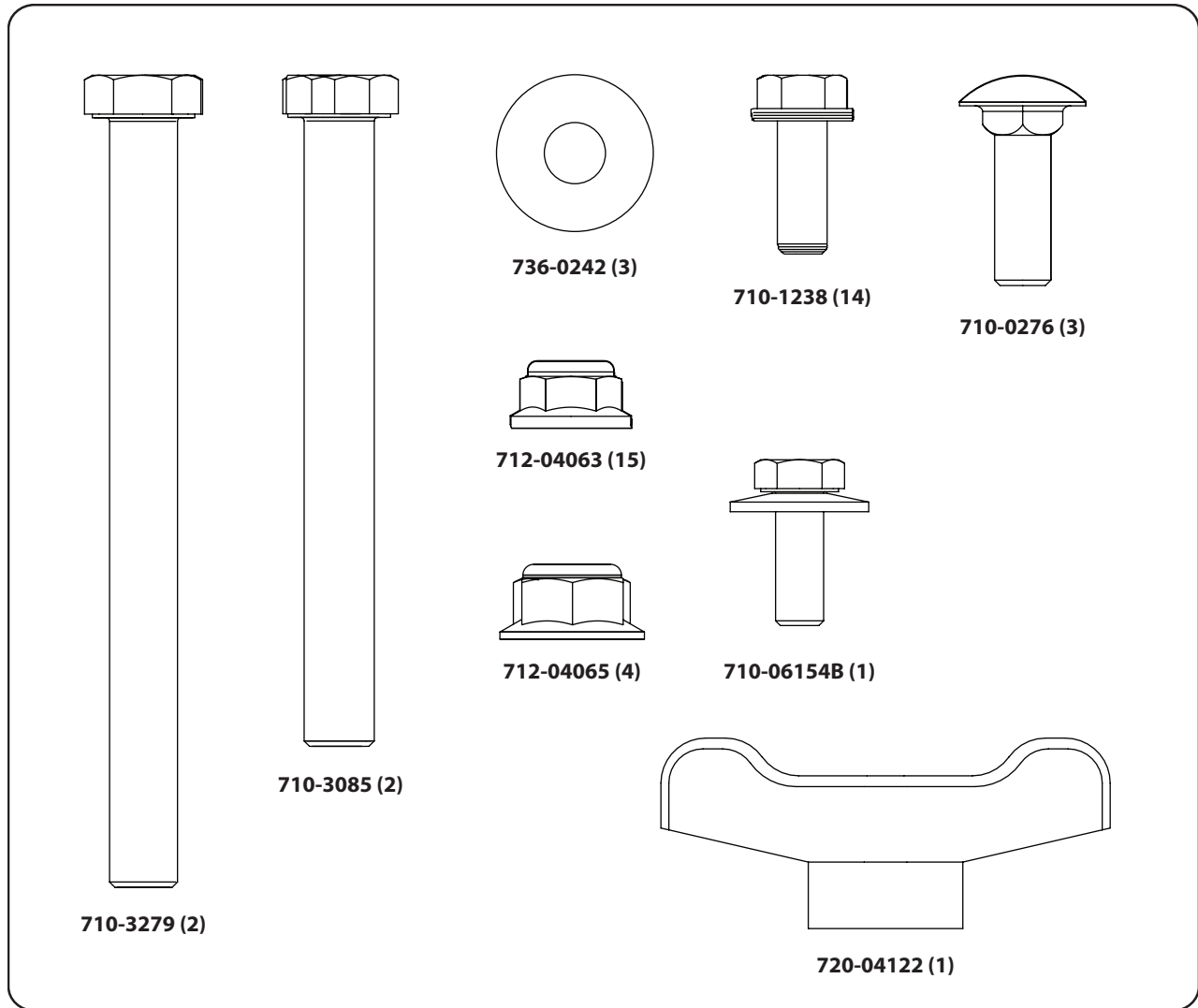
Figure 2

# CONTENTS OF CARTON

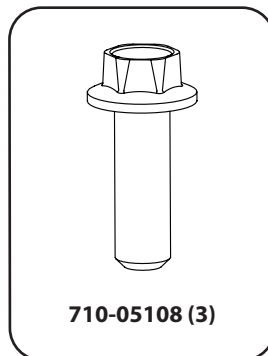
## Contents of Hardware Pack

Please check your hardware packs against the illustrations below. The quantities for each item are listed in parentheses.

### Hardware Pack 689-02619



### Hardware Pack 689-02299



# ASSEMBLY & INSTALLATION

**NOTE:** References to left, right, front and rear of the tractor are from the operator's position, unless otherwise stated.

- Before assembly, place the tractor on a firm, level surface, disengage the PTO, stop the tractor engine and set the parking brake.

## Assemble Mounting Plate & Strut Brackets

1. Place the two strut brackets (789-04278) facedown on a stable work surface, as shown in Figure 3.

**NOTE:** Slots on strut brackets should be faced to the outside, while smaller holes should be facing in.

2. Align mounting plate (689-02559) to strut brackets with flanges curving inward and solid flange lined up with smaller holes along the bottom of strut brackets. See Figure 3.

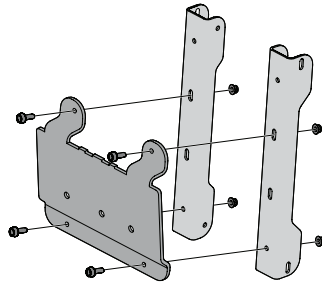


Figure 3

3. Secure mounting plate and strut brackets with four hex head screws (710-1238) and four lock nuts (712-04063) from hardware pack 689-02619. See Figure 3.
4. Set assembly aside for installation later in these instructions.

## Install Brackets on Tractor Frame

**NOTE:** When assembling these mounting brackets, it is best to not fully tighten the brackets at this time. This will facilitate the mounting process in later steps, which will then require fully tightening this mounting assembly.

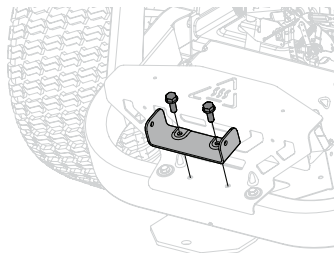


Figure 4

Install lower bracket as follows:

1. Align lower bracket (789-04279) with the holes on the lower rear tube of tractor frame with side flanges pointing up, secure with two self-tapping hex head screws (710-1238). See Figure 4.

**NOTE:** Two bolts should be pre-installed on the tractor. These can be re-used. If these bolts are not pre-installed, use provided bolts to secure the bracket to the two inner rivnuts on muffler bracket.

Install upper bracket as follows:

1. Working from the inside out, align keeper bracket (689-02519) with upper rear tube of tractor frame, sliding weld pins into existing holes on underside of tube. See (1) in Figure 5.

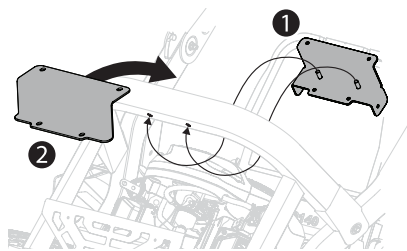


Figure 5

2. Working from outside in, align upper bracket (789-04458) with upper rear tube of tractor frame and keeper bracket, aligning upper and lower holes of both brackets. See (2) in Figure 5.

3. Holding both brackets in place, loosely secure assembly around frame tube with four hex head screws (710-1238) and four lock nuts (712-04063). See Figure 6.

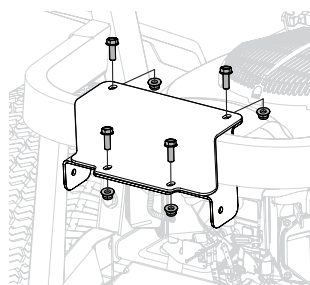


Figure 6

4. Once aligned, tighten all of the hardware installed at this time.

## Install Mounting Plate/Strut Bracket Assembly

1. Install mounting plate/strut bracket assembly onto lower bracket previously attached to frame by aligning interior holes on struts with holes on upright flanges of lower bracket.
2. Working from inside-out, secure mounting plate/strut bracket assembly to lower bracket with two hex head screws (710-1238) and two lock nuts (712-04063). See (1) in Figure 7.
3. Swing upper arms of mounting plate/strut bracket assembly toward tractor frame, aligning outside slots with holes on downward flanges of keeper bracket previously attached to frame. See (2) in Figure 7.
4. Working from outside-in, secure mounting plate/strut bracket assembly to keeper bracket with two hex head screws (710-1238) and two lock nuts (712-04063). See Figure 8.

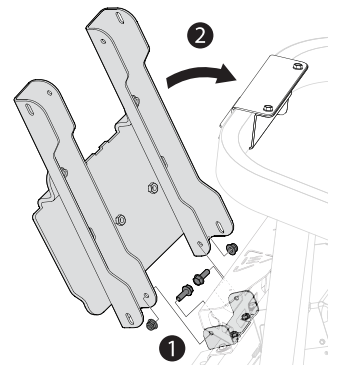


Figure 7

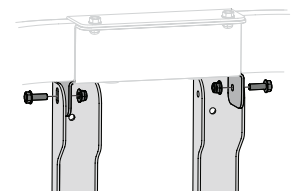


Figure 8

## Install Vertical Bagger Support

**NOTE:** This manual covers various bagger configurations. Please follow the instructions applicable to your machine.

1. Using Figure 9, locate the correct mounting hole location on the mounting plate for your tractor.
2. Install the vertical bagger support (683-04519C) onto the mounting assembly on the tractor by hooking it over the mounting assembly, as shown in Figure 10.
3. Secure the vertical bagger support to the mounting assembly using a hex bolt (710-06154B) from hardware pack 689-02619. See Figure 10.

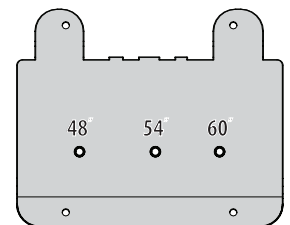


Figure 9

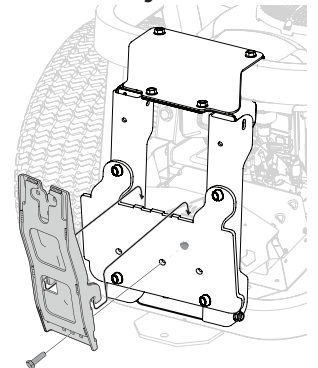


Figure 10

## Install Hanger Assembly

1. Install and secure the hanger assembly (683-04498B) onto the vertical bagger support using three carriage bolts (710-0276), three cup washers (736-0242) and three flange lock nuts (712-04063) from hardware pack 689-02619. See Figure 11.

**NOTE:** Cup washers should be placed on same side as flange lock nuts (towards frame).

**NOTE:** The carriage bolts (710-0276), from hardware pack 689-02619, go in the top holes with the nuts facing the engine. The hex bolt (710-1238), from the same hardware pack, goes in the bottom hole.

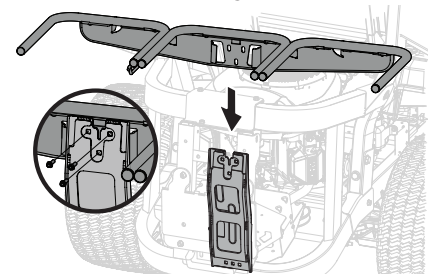


Figure 11

# ASSEMBLY & INSTALLATION

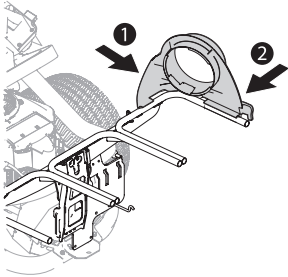


Figure 12

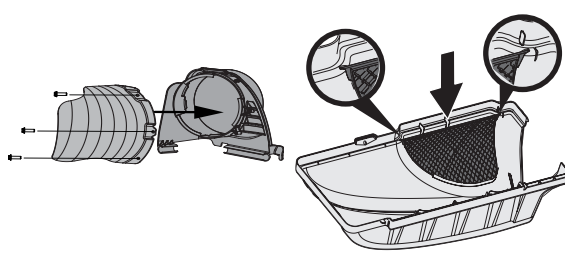


Figure 13

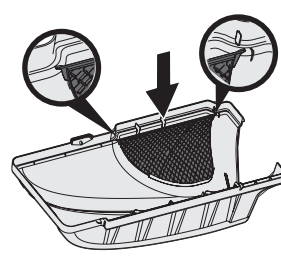


Figure 14

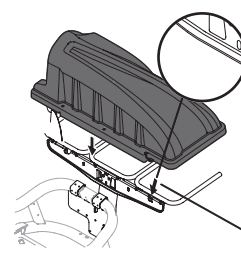


Figure 15

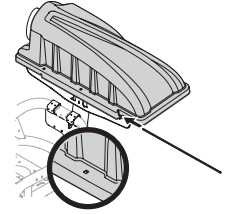


Figure 16

## Install Top Bagger Components

With the mounting brackets assembled and in place on the tractor, follow these steps to assemble the remaining bagger components.

1. **If not already installed by the factory**, snap the vent cover into the holes found on the chute support assembly.
2. Snap the upper chute support (731-17272) in place by first clipping the side portion onto the hanger assembly rail (1) as shown in Figure 12.
3. Snap the front side of the upper chute support to the hanger assembly rail (2) as shown in Figure 12.
4. Attach the deflector (731-18471) to the upper chute support using the three (3) screws supplied in hardware pack 689-02299. See Figure 13.
5. If not already installed by the factory, install the bagger screen (731-06504) into the bagger cover (631-06539) by first inserting one end into the corresponding cutout mounting hole. Make sure to feed screen under lip, as shown in Figure 14.

6. Install the bagger cover onto the hanger assembly, as seen in Figure 15. The cover goes inside the two mounting tabs.
7. Slide the hinge pin (711-05079) into the hole located on the mounting tab, as shown in Figure 16. Use the cut-out windows (see inset in Figure 16) to line up the hinge pin on the other side and push pin all the way in until it reaches the end-stop. At this point the pin clips into place and is secured by a tab in the bagger cover.

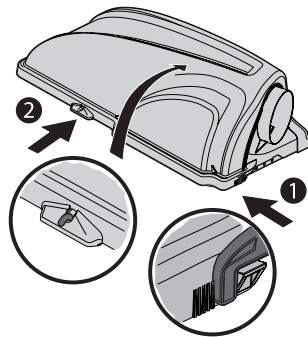


Figure 17

8. Open hood by pushing in on the rear, right-side tab with your right hand (1), and lifting the cover with your left hand in the center rear of the bagger cover (2) as shown in Figure 17.
9. Install all three bag assemblies (664-05104) onto the hanger assembly by inserting the front edge in first (1), and then setting the back edge down until it fits into the assembly (2), as shown in Figure 18.

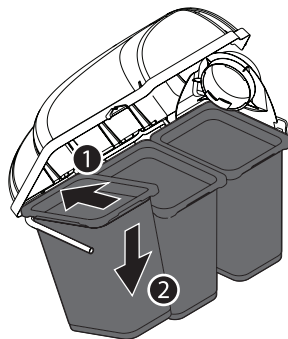


Figure 18

## Installing the Boot Assembly - 48" Triple Bagger

1. With the tractor's outer and inner discharge chutes raised up and held open (1), install the boot assembly (819-011300) by placing the hole on the boot assembly bracket on the tab located on the top, right rear of the deck (2), as shown in Figure 19.

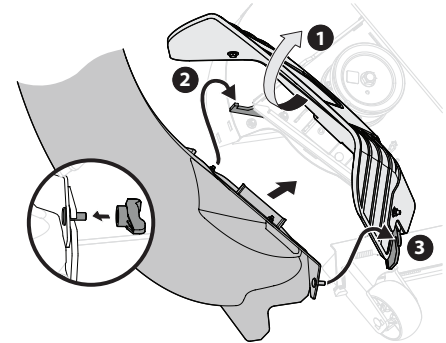


Figure 19

2. Pivot the boot assembly forward, sliding under the discharge chutes raised in Step 2, until the pin on the boot assembly bracket aligns with the slot on the deck. See (3) in Figure 19.

**NOTE:** You should hear a click when the center tab on the boot assembly bracket snaps into place on the deck.

3. Secure the boot assembly to the cutting deck using wing knob (720-04122) from hardware pack 689-02619. See inset of Figure 19.

**NOTE:** The inner and outer spring-loaded discharge chutes will remain propped on the boot assembly bracket, creating a seal between the deck and the boot assembly.

## Installing the Boot Assembly - 54"/60" Triple Bagger

1. Raise the deck to its highest position.
2. With the tractor's outer and inner discharge chutes raised up and held open (1), install the boot assembly (819-011280) by placing the hole on the boot assembly bracket on the tab located on the top, right rear of the deck (2), as shown in Figure 20.

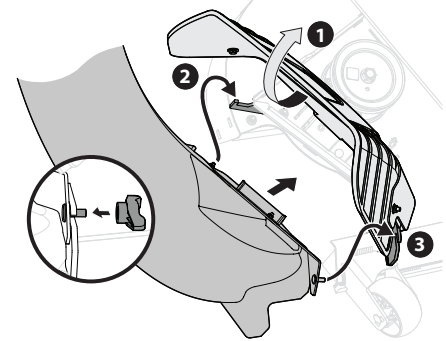


Figure 20

3. Pivot the boot assembly forward, sliding under the discharge chutes raised in Step 2, until the pin on the boot assembly bracket aligns with the slot on the deck. See (3) in Figure 20.

**NOTE:** You should hear a click when the center tab on the boot assembly bracket snaps into place on the deck.

4. Secure the boot assembly to the cutting deck using wing knob (720-04122) from hardware pack 689-02619. See inset of Figure 20.

**NOTE:** The inner and outer spring-loaded discharge chutes will remain propped on the boot assembly bracket, creating a seal between the deck and the boot assembly.

# ASSEMBLY & INSTALLATION

## Installing the Hose

1. Thread the upper end of the hose (764-05275) securely into the upper chute support. There are two tabs on the lower inside part of the upper chute support to allow for secure threading. See Figure 21.

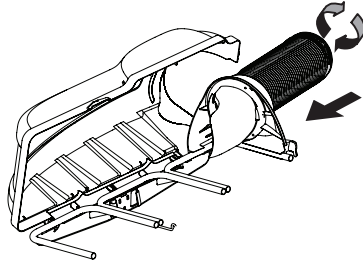


Figure 21

**NOTE:** The hose and upper chute support are **left-hand threaded**. Thread counterclockwise until secure.

2. Slide the hose over the boot assembly mounted on the cutting deck, as shown in Figure 22.
3. Make sure the connection is secure and there are no gaps between the hose and the boot assembly.
4. If open, close the grass catcher cover prior to mowing.

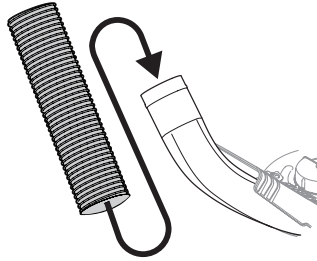


Figure 22

## Install The Counter Weight

### ⚠ WARNING

This front-weight kit is required when operating any compatible zero-turn tractor models equipped with a grass collector. Failure to install this kit may result in serious injury or death.

### ⚠ WARNING

Before beginning installation, place the zero-turn tractor on a firm and level surface, set the parking brake, place the PTO in the disengaged (OFF) position, stop the motor and remove the ignition key to prevent unintended starting.

1. Attach the RZT bagger weight (719-04271A) and three weight plates (789-02137) to the weight hanger brackets (Left - 789-04077, Right - 789-04078) with two 3/8" hex head capscrews (710-3085) and two nuts (712-04065) as shown in Figure 23.
2. Visually center the weight bar assembly on the tractor and using two 7/16" hex head capscrews (710-3279) and two nuts (712-04065) secure the counter weight assembly to the tractor as shown in Figure 24.

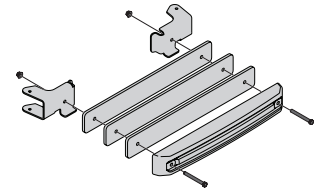


Figure 23

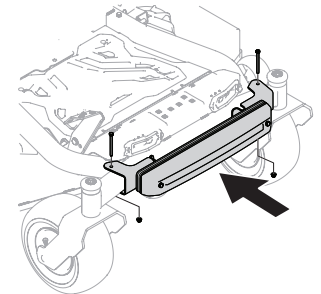


Figure 24