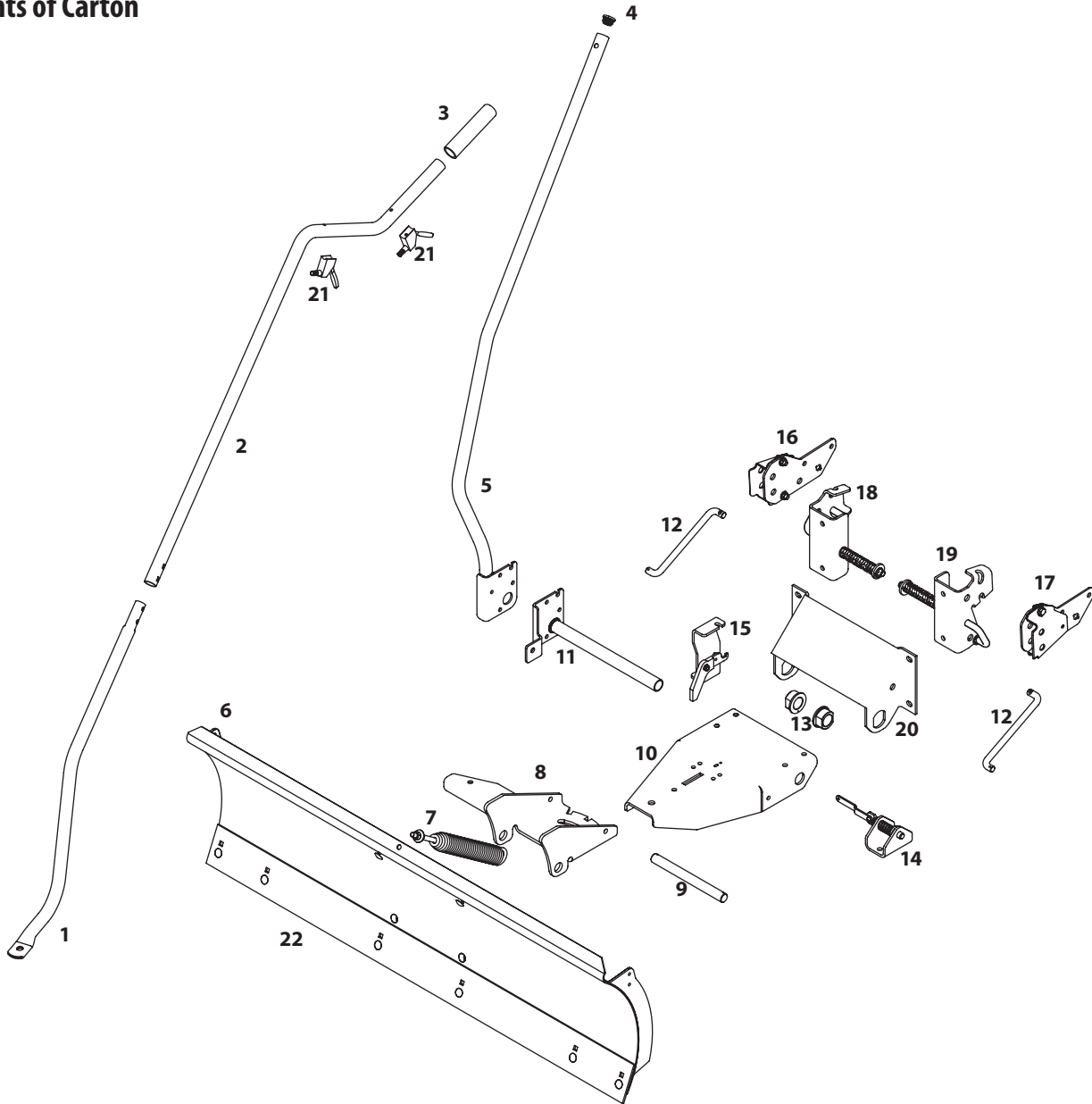


Assembly & Set-Up

Contents of Carton

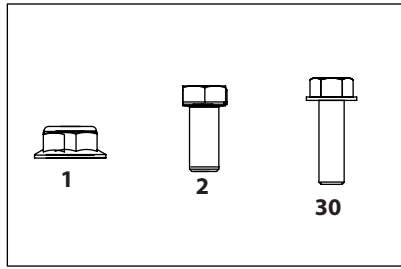


	Part Number	Description	Qty.
1	749-05858	Lower Control Tube	1
2	749-05855	Control Tube	1
3	720-0274	Grip	1
4	735-0246A	End Plug	1
5	689-00656	Lift Handle Assembly	1
6	689-00661	Blade Assembly	1
7	689-00662	Trip Spring Kit	1
8	689-00632	Pivot Plate Assembly	1
9	711-06173	Pivot Shaft	1
10	789-00471	Blade Tongue	1
11	689-00667	SHF Assembly	1

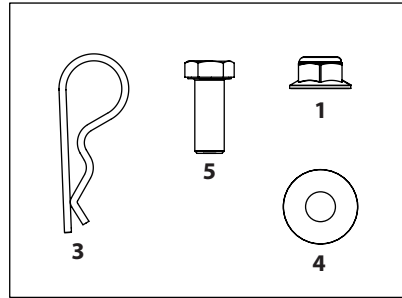
	Part Number	Description	Qty.
12	747-06957	Tie Rod	2
13	741-0192	Flange Bearing	2
14	689-00663	Tongue Lock Pin Assembly	1
15	689-00691	Lever Lock Assembly	1
16	689-00686	Right Front Bracket Assy	1
17	689-00685	Left Front Bracket Assy	1
18	689-00682	Right Mounting Assembly	1
19	689-00681	Left Mounting Assembly	1
20	789-00463	Large Mounting Bracket	1
21	746-04794	Cable Lever	2
22	789-00471	Shave Plate	1

Hardware Pack

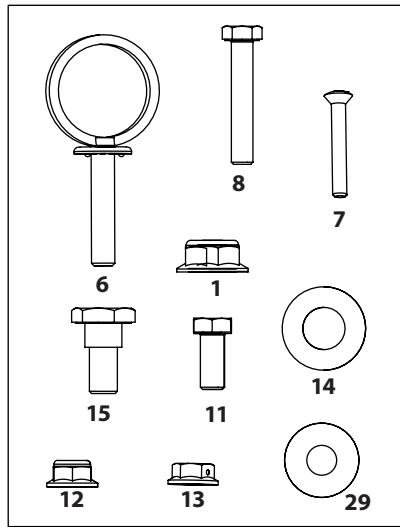
Hardware Pack 1 689-00677



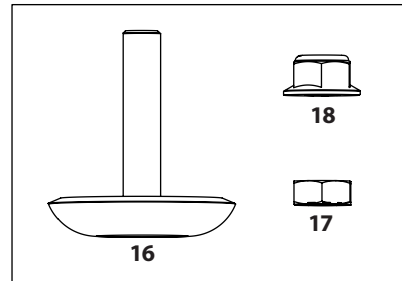
Hardware Pack 2 689-00678



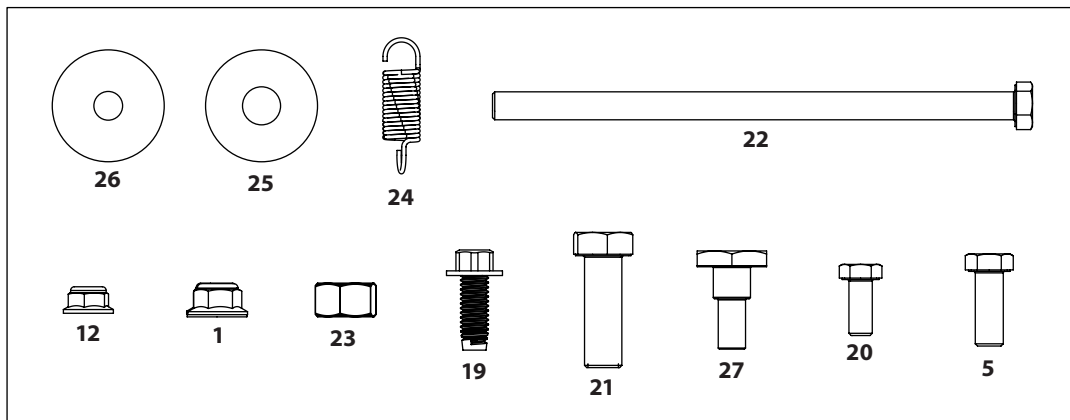
Hardware Pack 3 689-00679



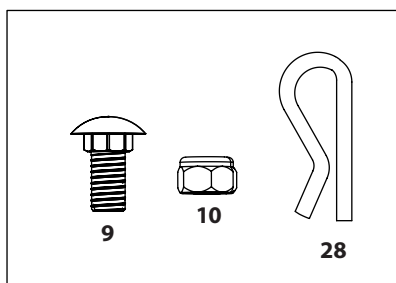
Hardware Pack 4 689-00680



Hardware Pack 5 689-00688



Hardware Pack 6 689-00666



	Part Number	Description	Qty.
-	689-00677	Hardware Pack 1	1
1	712-04065	Nut	4
2	710-3001	Screw 3/8-16 X .880 GR5	4
30	710-06012A	Fixing Bolt 3/8-16 X .125 GR5	4
-	689-00678	Hardware Pack 2	1
1	712-04065	Nut	4
3	714-3020	Internal Cotter Pin	2
4	736-04183	Washer .395 X 1.0 X .62	4
5	710-0514	Screw 3/8-16 X 1 GR5	4
-	689-00679	Hardware Pack 3	1
1	712-04065	Nut	1
6	603-0297	Eye-Bolt	1
7	710-1625	Oval Head Screw #10-24 X 1.75	2
8	710-3180	Hex Head Bolt 5/16-18 X 1.75	2
11	710-3008	Screw 5/16-18 X .75 GR5	3
12	712-04063	Flange Lock Nut 5/16-18	5
13	712-3004A	Hex Flange Nut	1
14	936-0414	Teflon Washer .570X1.120x.062	1
15	738-0143	Shoulder Screw .498 Dia X .340	1
29	736-0451	Curved Washer	4
-	689-00680	Hardware Pack 4	1
16	703-0650	Blade Skid Shoe	2
17	912-3048	Hex Nut	2
18	712-04150	Nut	2
-	689-00688	Hardware Pack 5	1
1	712-04065	Nut	4
5	710-0514	Screw 3/8-16 X 1 GR5	2
12	712-04063	Flange Lock Nut 5/16-18	2
19	710-04683C	Self-tapping Screw 3/8-16 X 1	1
20	710-3008	Screw 5/16-18 X .75 GR5	2
21	710-3181	Screw 1/2-13X1.50 GR5	1
22	710-3261	Screw 3/8-16 X 7.00 GR5	1
23	712-3022	Hex Nut Ctr Lk 1/2-13	2
24	732-04345	Extension Spring	1
25	936-0208	Washer .51 X 1.5 X .07	1
26	736-0234	Flat Washer .390 Id X 1.50 Od X .075	1
27	938-0507B	Shoulder Screw	1
-	689-00666	Hardware Pack 6	1
9	710-0451	Carriage Bolt 5/16 - 18 .750	6
10	712-0429	Hex Nut 5/16 - 18 .750	6
28	714-0209	Cotter Pin	2

Required Tools

• Phillips Head Screwdriver (1)	• 9/16" Socket Wrench (1)	• 9/16" Open/Box Wrench (1)	• 1/2" Socket Wrench (1)
• 15/16" Wrench (1)	• 3/4" Wrenches (2)	• 1/2" Open/Box Wrench (1)	• Adjustable Wrench (1)



WARNING! Disengage the PTO, engage the brake lock, and stop the tractor engine before performing any preparation procedures. Place the tractor on a firm and level surface before beginning installation procedures.



WARNING! The exhaust system and surrounding areas are HOT. To avoid personal injury, allow the tractor to cool before beginning any plow installation or removal procedures.

NOTE: The hardware used to install some components on the all-season plow has been loosely installed for shipping purposes. To assemble the plow it may be necessary to remove this hardware to complete installation.

Attach Bracket Assemblies To Tractor

Note: If your tractor already has FastAttach™ brackets installed, skip to Large Mounting Bracket Assembly instructions.

1. Attach FastAttach™ brackets (689-00685) (689-00686) to the outside of the tractor frame using 4 3/8 bolts (710-3001) and 4 locking nuts (712-04065) found in hardware pack 1 (689-00677). See Figure 2-1.

Note: If single tube bumper is installed on tractor, use the following alternate step. Remove bumper by unbolting 4 fixing bolts. Using 4 new bolts (710-06012A), attach left and right FastAttach™ brackets (689-00685) (689-00686) to the outside of the frame, re-using the riv-nuts in the bumper in place of nuts (712-04065) provided in hardware pack 1. It is recommended to hand start the bolts prior to tightening. Once bolts are in place, tighten all 4 bolts.

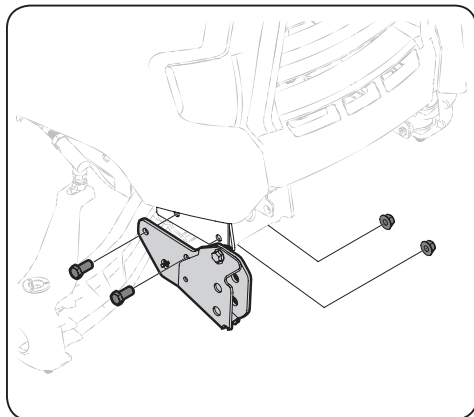


Figure 2-1

Large Mounting Bracket Assembly

1. Attach RH and LH mounting assemblies (689-00682) (689-00681) to large mounting bracket (789-00463) with 4 screws (710-0514) 4 washers (736-04183) and 4 nuts (712-04065) found in hardware pack 2 (689-00678). See Figure 2-2.

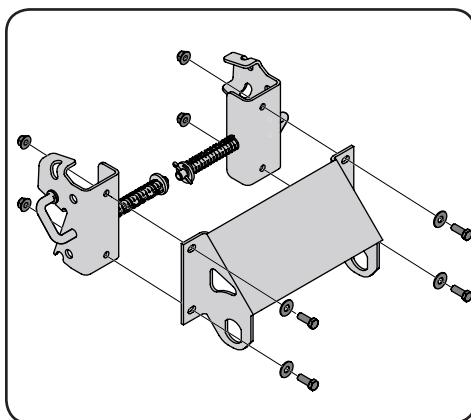


Figure 2-2

Install Large Mounting Bracket To Tractor



WARNING! The exhaust system and surrounding areas are HOT. To avoid personal injury, allow the tractor to cool before beginning any plow installation or removal procedures.

1. Slide large mounting bracket into brackets installed earlier on tractor. See Figure 2-3.

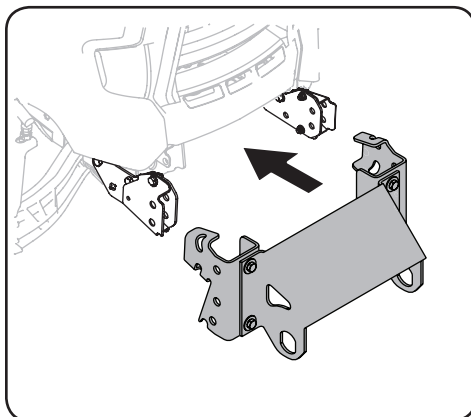


Figure 2-3

2. Align FastAttach™ tabs and slide in to secure.

3. Pull spring pins outward on each side and rotate into place to lock. See Figure 2-4.

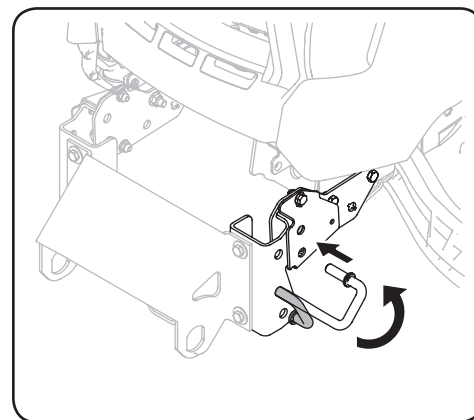


Figure 2-4

4. Install slotted end of tie rod (747-06957) into bracket mounted on tractor frame and then rotate and secure other end of tie rod into hole and secure with 2 cotter pins (714-3020) found in hardware pack 2 (689-00678). See Figure 2-5.
5. Repeat with the second tie rod (747-06957) on the other side.

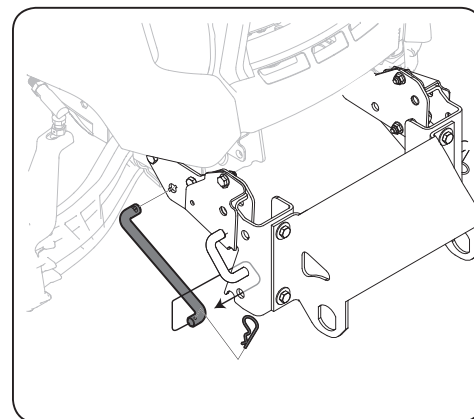


Figure 2-5

Note: Tighten all hardware that was left loose in bracket assembly procedure.

6. Insert bearing flanges (741-0192) into large mounting bracket. See Figure 2-6.

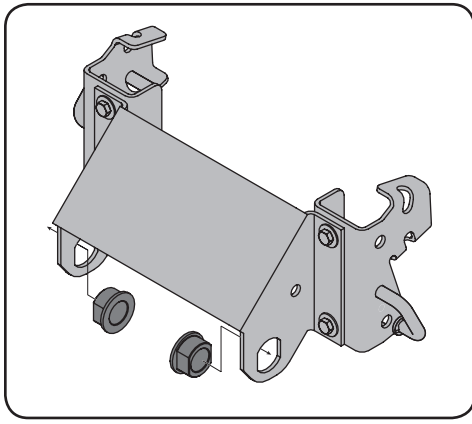


Figure 2-6

Blade Tongue Assembly

1. Attach lever lock assembly (689-00691) to blade tongue (789-00471) with 2 screws (710-3008) and 2 flange lock nuts (712-04063) found in hardware pack 5 (689-00688). See Figure 2-7.
2. Fasten extension spring (732-04345) from hardware pack 5 (689-00688) to arm of lever lock assembly (689-00691) and blade tongue (789-00471). See Figure 2-7.

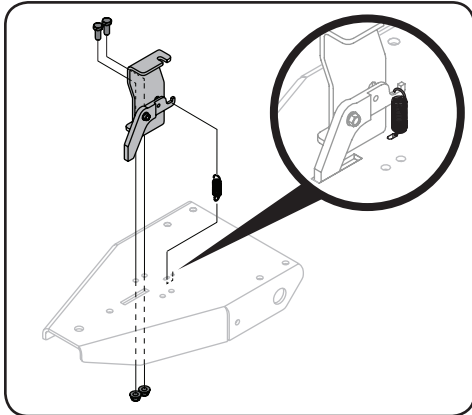


Figure 2-7

Tongue Lock Assembly

1. Install pin lock assembly (689-00663) to blade tongue (789-00471) with 2 bolts (710-0514) and 2 nuts (712-04065) found in hardware pack 5 (689-00688). See Figure 2-8.

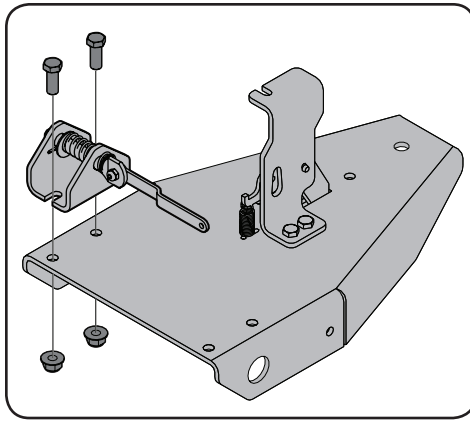


Figure 2-8

Large Mounting Bracket To Tongue Assembly

1. Place large mounting bracket assembly onto blade tongue assembly. Slide SHF assembly (689-00667) into mounting holes, and secure with self-tapping screw (710-04683C) found in hardware pack 5 (689-00688). See Figure 2-9.

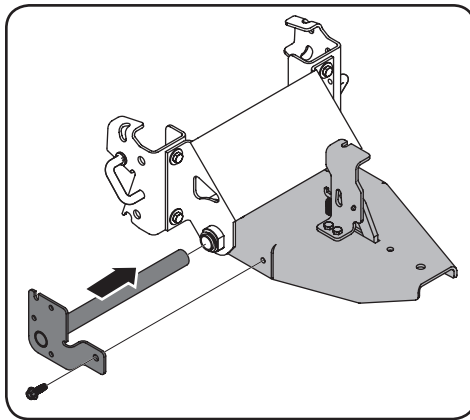


Figure 2-9

Attach Blade Tongue To Pivot Assembly

1. Secure pivot plate assembly (689-00632) to blade tongue (789-00471) with 1 bolt (710-3181) and 2 hex nuts (712-3022) found in hardware pack 5 (689-00688). Do not overtighten. Pivot Plate assembly and Blade Tongue should rotate freely. See Figure 2-10.

Note: Lubricate the pivot points between the tongue and pivot plate with an all-purpose automotive type grease.

2. Secure pivot plate assembly (689-00632) to blade tongue (789-00471) with shoulder screw (938-0507B) and washer (936-0208). Secure pivot plate assembly on the bottom by using washer (736-0234) and nut (712-04065) found in hardware pack 5 (689-00688). See Figure 2-10.

3. Insert screw (710-3261) into pivot plate assembly and fasten with nut (712-04065) found in hardware pack 5 (689-00688). See Figure 2-10.

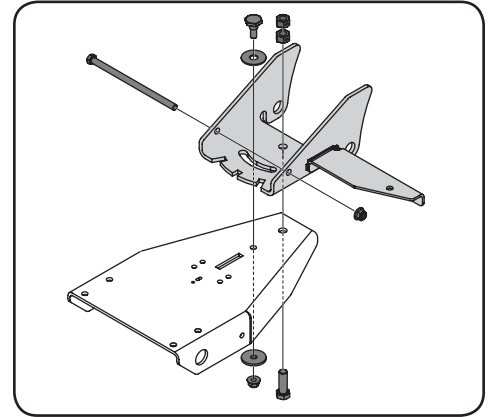


Figure 2-10

Tongue Assembly To Blade Assembly

1. Slide pivot shaft (711-06173) into location shown and secure with 2 cotter pins (714-0209) found in hardware pack 6 (689-00666) to secure plow blade to tongue assembly. Gently tap cotter pins into place with a mallet if required. See Figure 2-11.

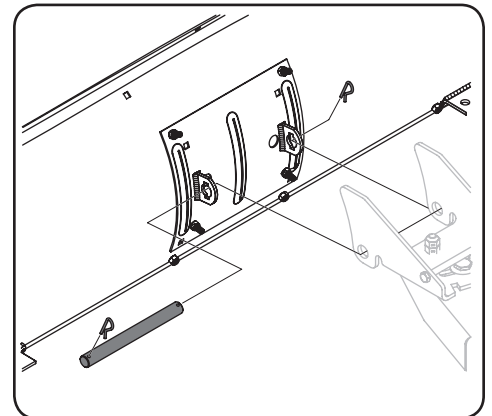


Figure 2-11

Attach Trip Spring Kit

1. Remove 1 nut (712-04102) from the end of the trip spring kit (689-00662) and insert hook end around screw (710-3261) that was installed previously. Insert threaded end through mounting hole in blade and fasten the nut (712-04102) removed earlier to secure the trip spring to the blade. See Figure 2-12.

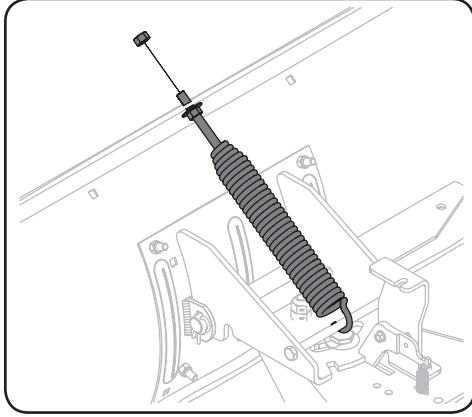


Figure 2-12

Install Skid Shoes

1. Using the hardware found in hardware pack 4 (689-00680) thread hex nut (912-3048) onto skid shoe (703-0650).
2. Slide assembly through the mounting tab located on the plow blade and use a flangelock nut (712-04150) found in hardware pack 4 (689-00680) to secure the skid shoe assembly to the plow blade. Hold the skid shoe secure at the base while turning the top nut to tighten. See Figure 2-13.

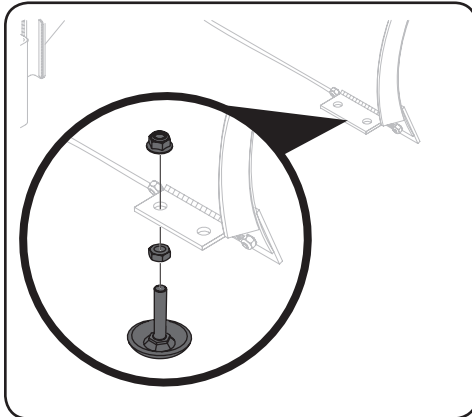


Figure 2-13

3. Repeat steps 1-2 to attach skid shoe assembly on other side of plow blade.
Note: See the Maintenance & Adjustments section regarding how to properly adjust the trip spring and level out the blade prior to use.

Control Handle Assembly

1. Slide grip (720-0274) onto the end of the control tube (749-05855) (1). Slide eye bolt (603-0297) from hardware pack 3 (689-00679) onto control tube (749-05855)(2). See Figure 2-14.
2. Slide control tube (749-05855) into lower control tube (749-05858) and fasten with two bolts (710-3180), 4 curved washers (736-0451), and 2 flange lock nuts (712-04063) (3) found in hardware pack 3 (689-00679). See Figure 2-14.

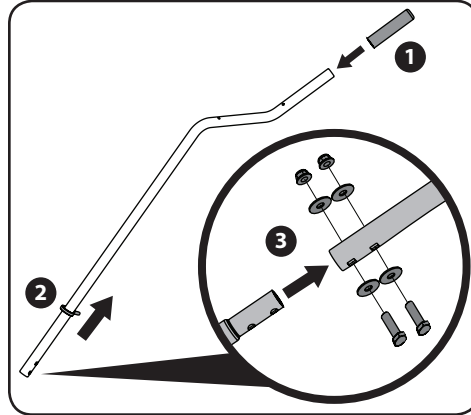


Figure 2-14

3. If not pre-installed from the factory, install end plug (735-0246A) into end of lift handle (689-00656).
4. Connect lift handle (689-00656) to control tube assembly and fasten the eye bolt (603-0297) with hex flange nut (712-3004A) found in hardware pack 3 (689-00679). See Figure 2-15.

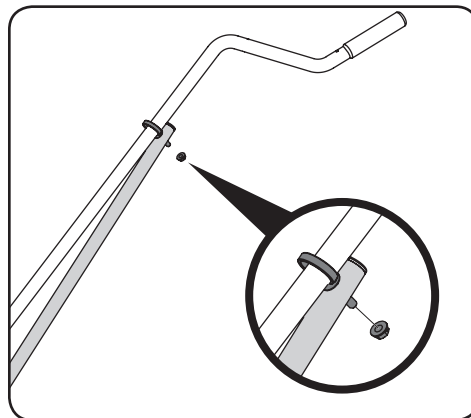


Figure 2-15

Attach Lift Handle

1. Attach the plate end of the lift handle (689-00656) to the SHF Assembly (689-00667) with 3 screws (710-3008), and 3 flange lock nuts (712-04063) from hardware pack 3 (689-00679). See Figure 2-16.

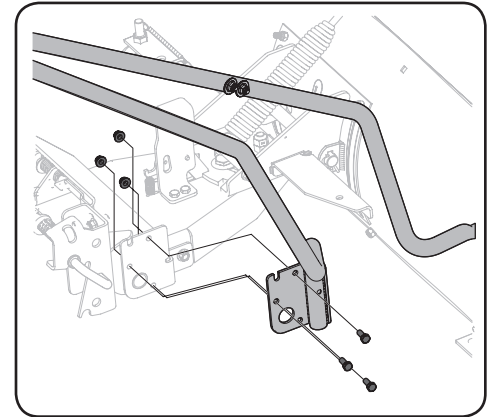


Figure 2-16

Attach Control Handle To Pivot Assembly

1. Attach control tube assembly to pivot plate assembly (689-00632) with shoulder screw (738-0143), Teflon washer (936-0414), and nut (712-04065) found in hardware pack 3 (689-00679). See Figure 2-17.

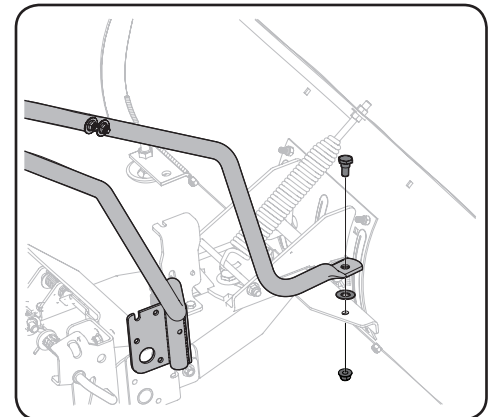


Figure 2-17

2. Mount the cable levers (746-04794) to the control tube with 2 #10 screws (710-1625) found in hardware pack 3 (689-00679). See Figure 2-18.

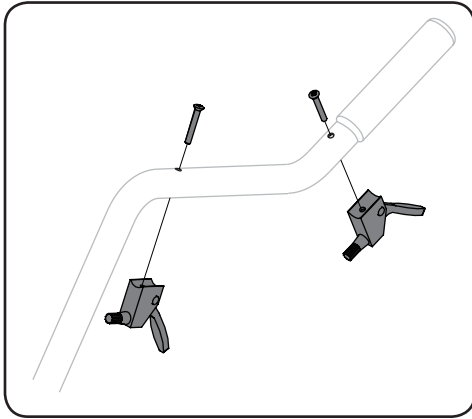


Figure 2-18

Attach Cable To Tongue Lock

1. Attach the end of the blade lift cable lever by inserting the S-end of the cable into the hole located on the tongue lock pin assembly (689-00663) and then rotate the S-end pin to lock into place.
2. Slide the top nut and washer up and then slide into mounting slot located on the handle lift assembly bracket (689-00656). See Figure 2-19.

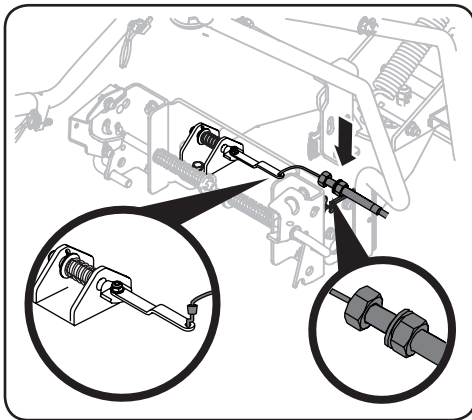


Figure 2-19

3. Tighten nut to secure in place.

Tip: Lower the blade to the ground to allow more room to tighten the nuts.

Attach Cable To Lever Lock

1. Attach the end of the pivot release cable lever to the lever lock by inserting the S-end of the cable into the hole located on the lever lock assembly (689-00691) and then rotating the cable assembly vertically.
2. Slide the top nut and washer up and then slide into mounting slot located on the lever lock assembly (689-00691) mounting bracket. See Figure 2-20.

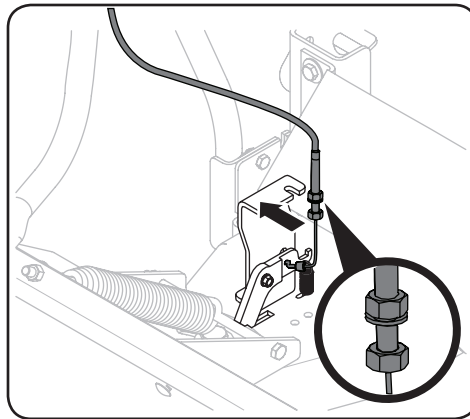


Figure 2-20

3. Tighten nut to secure in place.

Note: Cable ties may be used to secure the cables to handles.

Shave Plate Installation - 15" Tires

1. Check sidewall of tire to confirm tire size.
2. For tractors with 15" front tires, using the lower set of mounting holes, install the shave plate (789-00467) to the blade assembly (689-00661) with six carriage bolts (710-0451) and six flange lock nuts (912-0429) from hardware pack 6 (689-00666). See Figure 2-21.

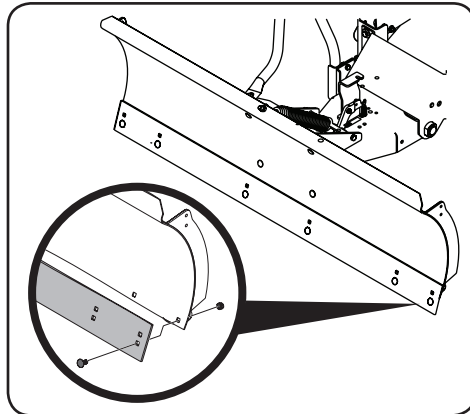


Figure 2-21

Note: When the shave plate is reinstalled, adjustment of the skid shoes may be required.

Shave Plate Installation - 16" Tires

1. Check sidewall of tire to confirm tire size.
2. For tractors with 16" front tires, using the top set of mounting holes, install the shave plate (789-00467) to the blade assembly (689-00661) with six carriage bolts (710-0451) and six flange lock nuts (912-0429) from hardware pack 6. See Figure 2-22.

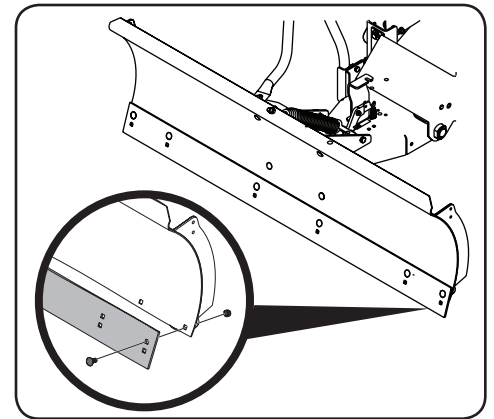


Figure 2-22

Note: When the shave plate is reinstalled, adjustment of the skid shoes may be required.

Blade Removal



WARNING! The exhaust system and surrounding areas are HOT. To avoid personal injury, allow the tractor to cool before beginning any plow installation or removal procedures.

To remove the blade continue as follows:

1. Lock blade in the up position.
2. Pull spring pins outward on each side and rotate into storage position. See Figure 2-23.

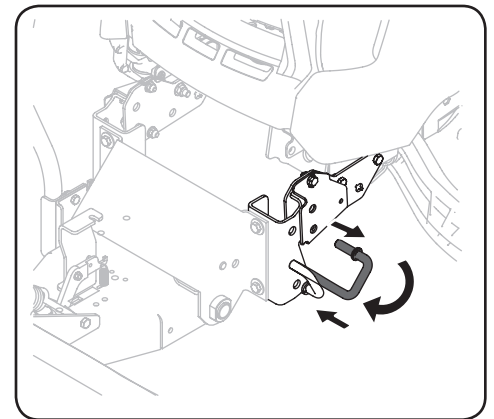


Figure 2-23

3. Move blade to down position.
4. Remove cotter pins from tie rods (1). See Figure 2-24.
5. Remove tie rod by pushing end of rod through the bracket (2), and then rotating rod to align rod tabs to slot in bracket. Slide rod out of bracket (3). See Figure 2-24.

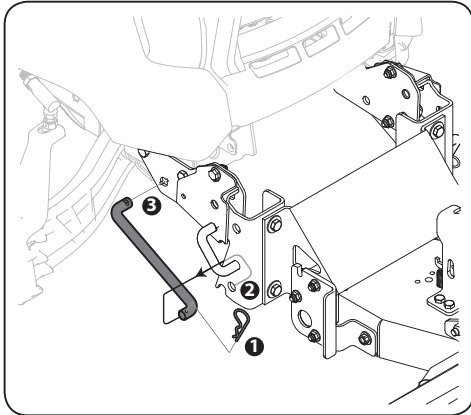


Figure 2-24

6. Slide plow assembly out of mounting brackets. See Figure 2-25.

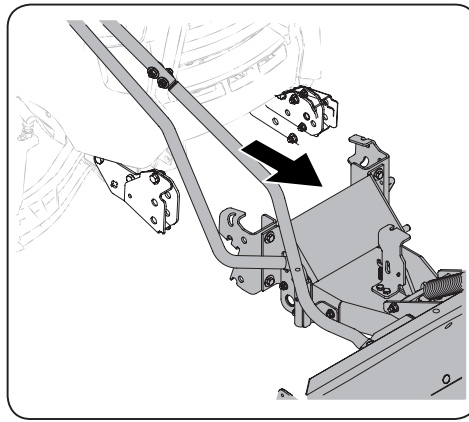


Figure 2-25

Note: Pulling up slightly on the plow assembly may make sliding the plow out of the brackets easier.

Note: The FastAttach™ brackets (689-00685/689-00686) may be left in place for use with the 19A30038100 FastAttach™ Brush Guard and other front FastAttach™ Attachments.

FastAttach™ Front Attachments	
Description	Part Number
All-Season Plow	19A30037100
Brush Guard	19A30038100
<i>More coming soon. Visit your local Cub Cadet Dealer or CubCadet.com for more information.</i>	
FastAttach™ Rear Attachments	
Spreader (100 lb capacity)	19A30028100
Cargo Carrier (80 lb capacity)	19A30029100
Bagger (42" and 46" Decks)	19A30030100
Sprayer / Cargo Carrier Combo	19A30035100
<i>More coming soon. Visit your local Cub Cadet Dealer or CubCadet.com for more information.</i>	
To optimize your experience in the snow, consider these convenient attachments:	
Tire Chains (for 20" rear tires)	490-241-0023
Tire Chains (for 22" rear tires)	490-241-0025
Rear Weight Kit	490-900-M060
Snow Cab	19A40022100